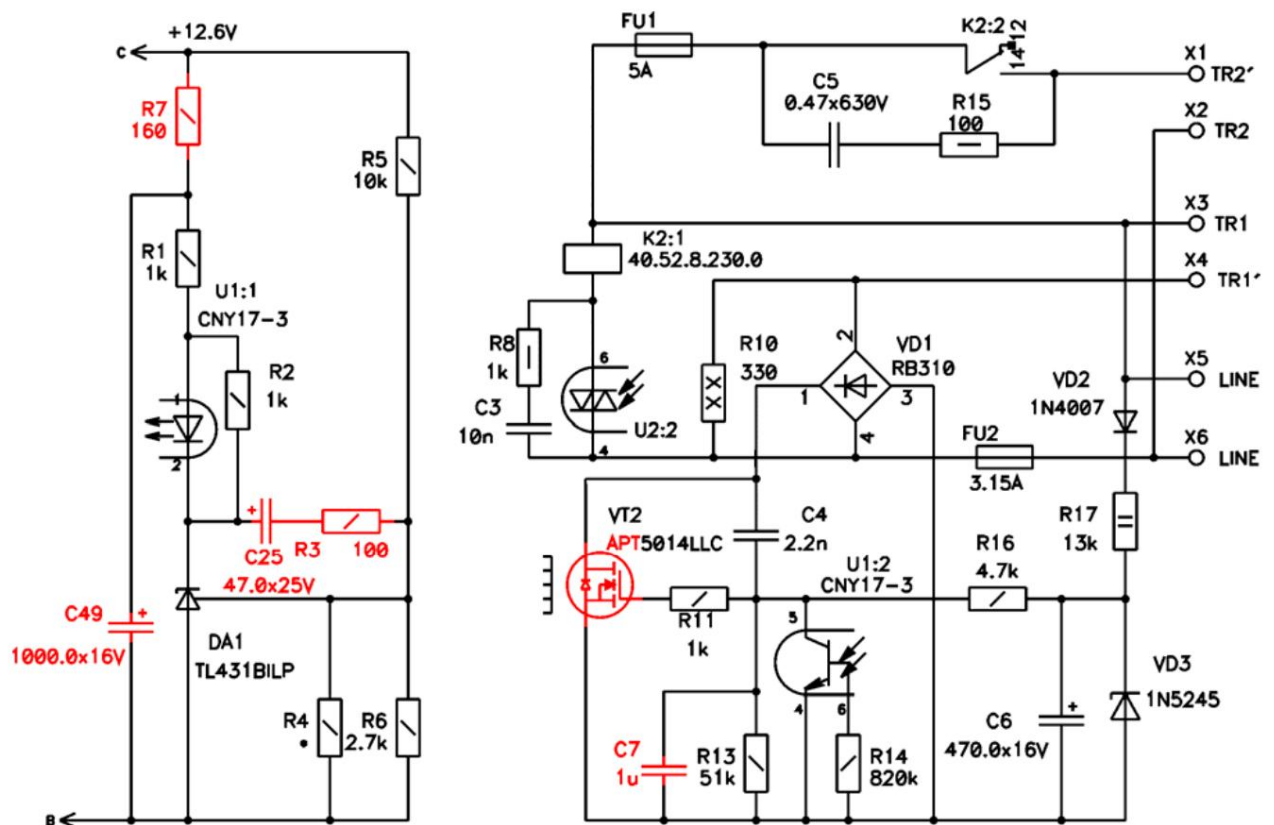


ADDITION

During the operation of the amplifier, it was found that in some situations, in the regulating element of the filament stabilizer, difficult-to-remove excitation. Also, the time constants have been changed in the regulator. Contributed The changes improved the repeatability of the circuit and the stability of its operation.

The modified circuit is shown in the figure below, added and changed elements are color coded.



Note.

As a transistor VT2, you can use other powerful MOSFETs in the package TO-247. Powerful IGBTs also work well in this node.